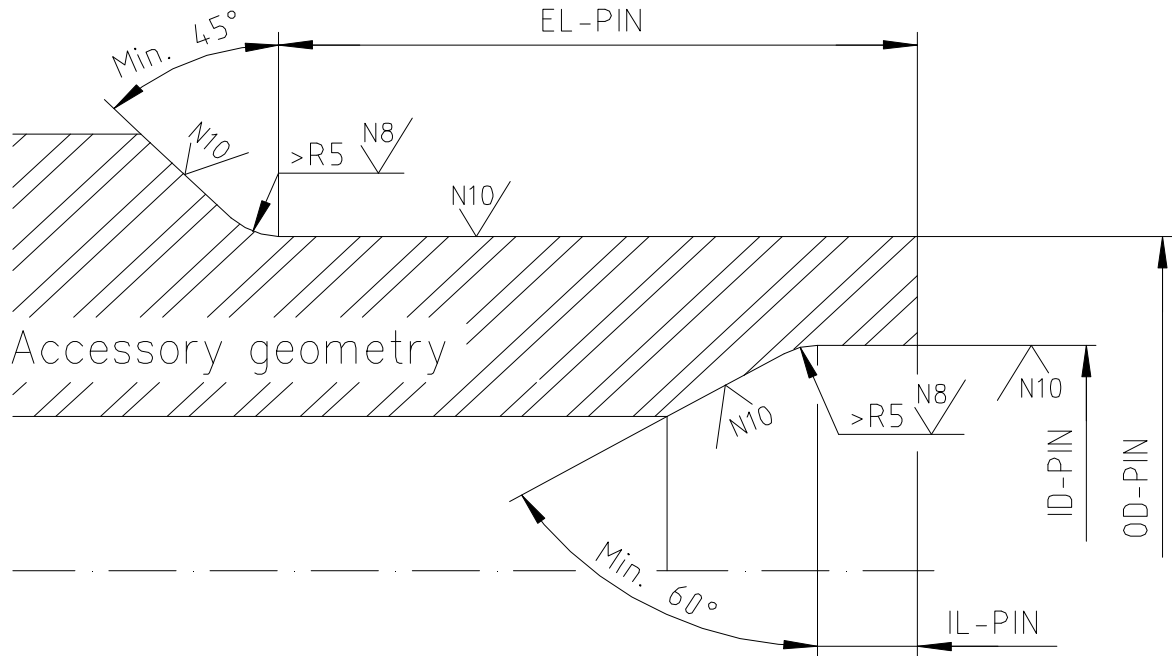
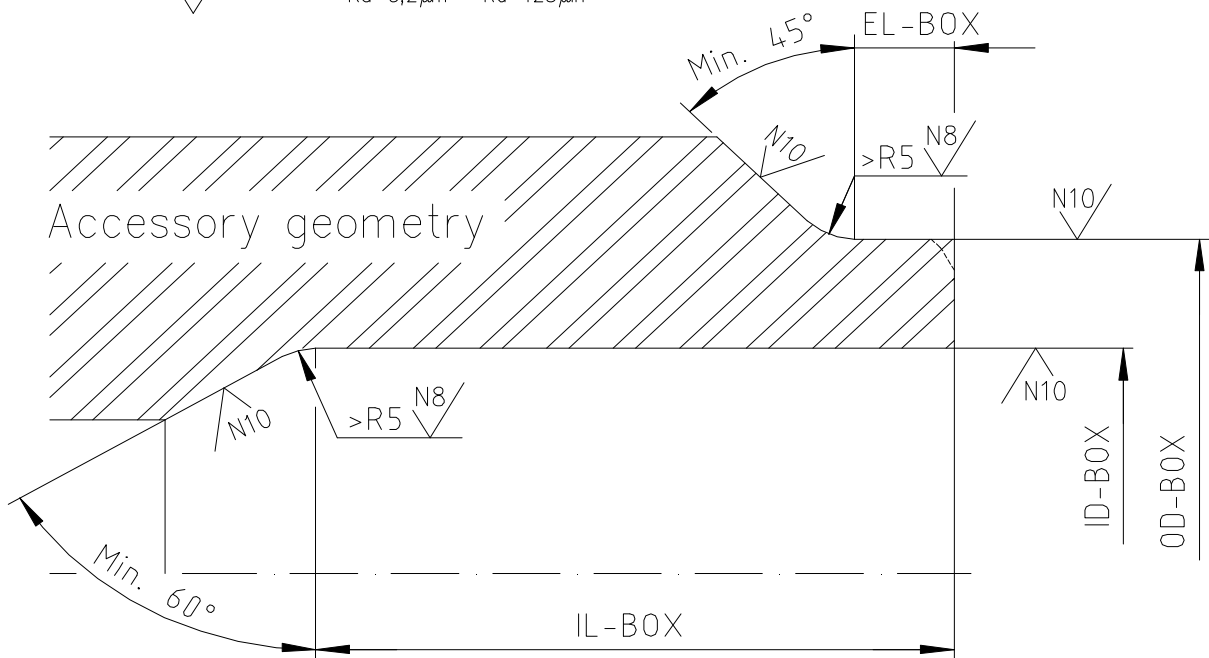


SKETCH : BLANKING DIMENSIONS FOR TPS-MS-TS# CONNECTIONS



N10	→	Ra=12,5 μm	Ra=500 μin
N8	→	Ra=3,2 μm	Ra=125 μin



Remark: Connection areas shall be machined coaxial