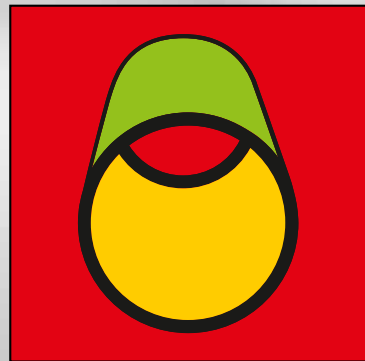
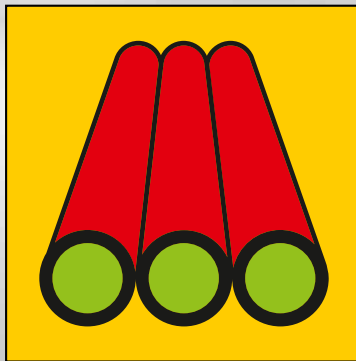


## TPS TOPSEAL

Superior Performance Threaded  
and Coupled Connection (T&C)  
for challenging Operations



# TPS TOPSEAL

## A CONNECTION YOU CAN RELY ON.

TPS Topseal offers a cost-effective solution for complex environments including critical applications or deviated well profiles – TPS Topseal is designed to meet CAL IV requirements and is available in standard version as well as in special clearance or sour service and H<sub>2</sub>S resistant grade options.

TPS Topseal is a superior performance threaded and coupled connection (T&C) designed for challenging operations. The new TPS Topseal is compatible with VAM TOP from Vallourec or Vallourec's authorized licensee.

TPS Topseal provides conclusive benefits that make it the perfect T&C connection for your next project – please contact your TPS representative today.

### ADVANTAGES:



#### INCREASED PRESSURE RESISTANCE & RECESS FREE ID - FLUSH TRANSITION AREA

TPS Topseal offers 100% internal pressure, collapse and tension capacity. Compression capacity is 100% (2 7/8" – 4 1/2") respectively 60% (5" and above). TPS Topseal results in reduction of flow turbulences by offering greater control over your operations.



#### REFINED METAL-TO-METAL SEAL

TPS Topseal supports combined loads and repeated make-ups by ensuring sealing integrity.



#### ADVANCED THREAD DESIGN & REVERSE ANGLE TORQUE SHOULDER

TPS Topseal positive torque stop ensures accurate power tight make-up by increased connection strength. TPS Topseal hook type thread design with negative load flanks increases resistance to combined loads.



#### FIELD-READY - COMPATIBILITY

Compatibility tests of TPS Topseal with VAM TOP from Vallourec or Vallourec's authorized licensee witnessed and confirmed by Tuboscope Vetco (Deutschland) GmbH. Extensive testing program conducted with certified make-up & breakout tests.



#### EASY & FAST MAKE-UP FOR FIELD OPERATIONS

TPS Topseal minimizes the risks of thread jump-outs and galling. TPS Topseal is available as tubing, intermediate & production casing, liner, test- or fracstring for all challenging applications in Oil & Gas, geothermal, caverns and storage projects.



#### EASY TO USE & REPAIR

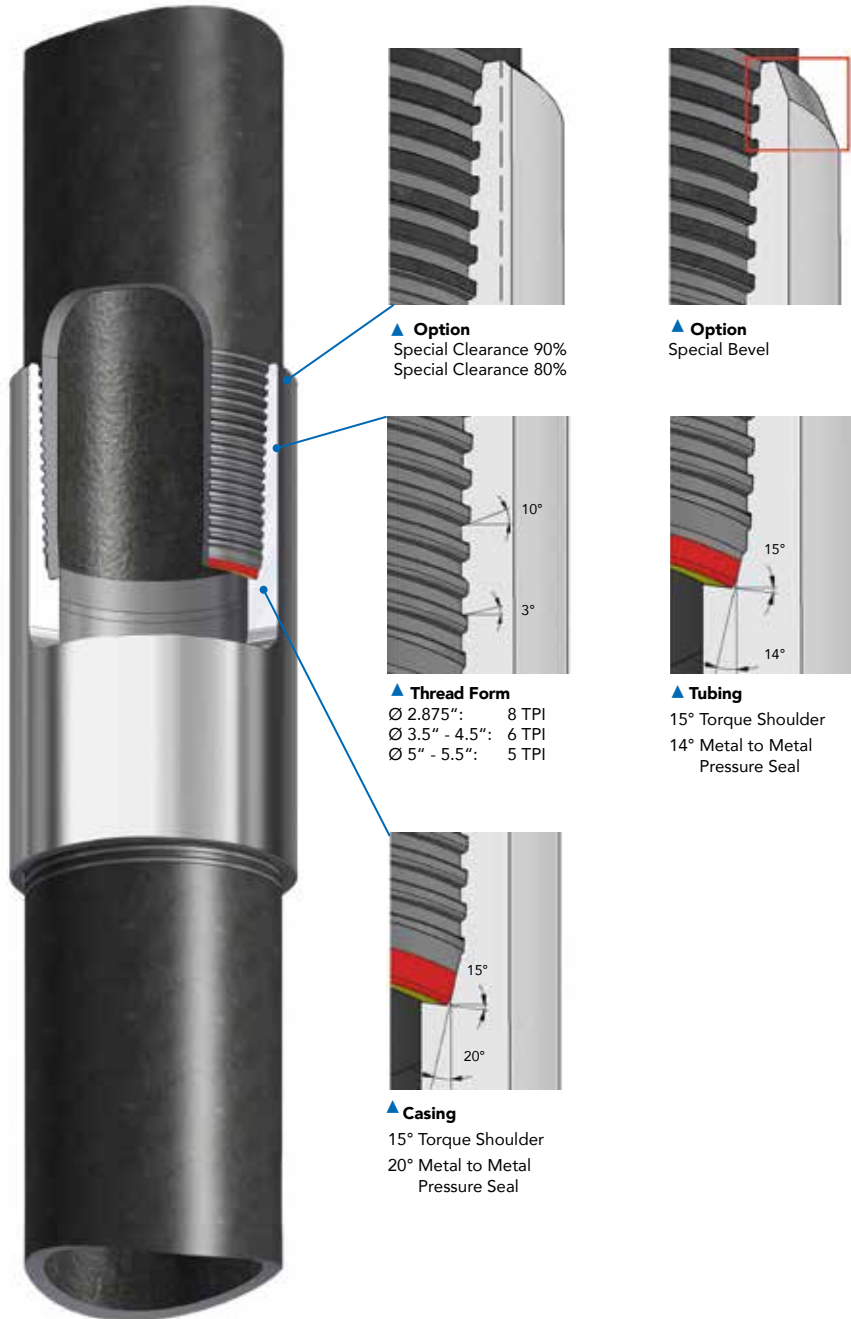
Well known easy to repair thread design supported by TPS Topseal licensees around the globe.



#### SUPPLY RANGE OF TPS TOPSEAL

TPS Topseal covers complete tubing & pipe packages including accessories like Pup Joints, X-Overs, Blast- Joints, Flow Couplings and more from stock and new manufacturing from TPS - your OCTG partner. One stop shop.

**TPS TOPSEAL IS AVAILABLE WITH QUICK LEAD TIME FROM OUR HUGE MILL STOCK, OR FROM A NEW MANUFACTURING. TPS ALSO OFFERS A WIDE RANGE OF PUP JOINTS, X-OVERS, FLOW COUPLINGS AND OTHER ACCESSORIES.**



## AVAILABLE GRADE & SIZES

|                                       |                      |
|---------------------------------------|----------------------|
| <b>Any standard API Grade:</b>        | J-55, L/N-80, P-110  |
| <b>Sour Service &amp; H2S Grades:</b> | T-95, C-110          |
| <b>Further Grades &amp; Sizes:</b>    | available on request |

**Grades in tubing and casing sizes:** from 2 7/8" up to 5 1/2" OD

## AVAILABLE OPTIONS:

- Internal Coating
- Special Clearance
- Special Bevel
- Standard & Special Drifts



Headquarter



Project Office



Mill stainless tubes



Mill OCTG

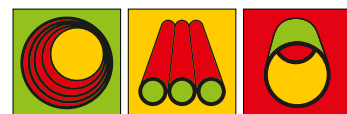
**Head Office:**

TPS-Technitube Röhrenwerke GmbH  
 Julius-Saxler-Str. 7 | 54550 Daun/Germany  
 Postfach 1509 | 54541 Daun/Germany  
 Tel.: +49 65 92 71 20 | E-Mail: service@tpsd.de

**Project Office:**

TPS-Technitube Röhrenwerke GmbH  
 Dreischeibenhaus 1 | 40211 Düsseldorf/Germany  
 Tel.: +49 211 136 502 5390  
 E-Mail: projects@tpsd.de

[www.tpsd.de](http://www.tpsd.de)



TPS-Technitube Röhrenwerke GmbH is a company of the LEPPER Stiftung e.S. (Foundation)